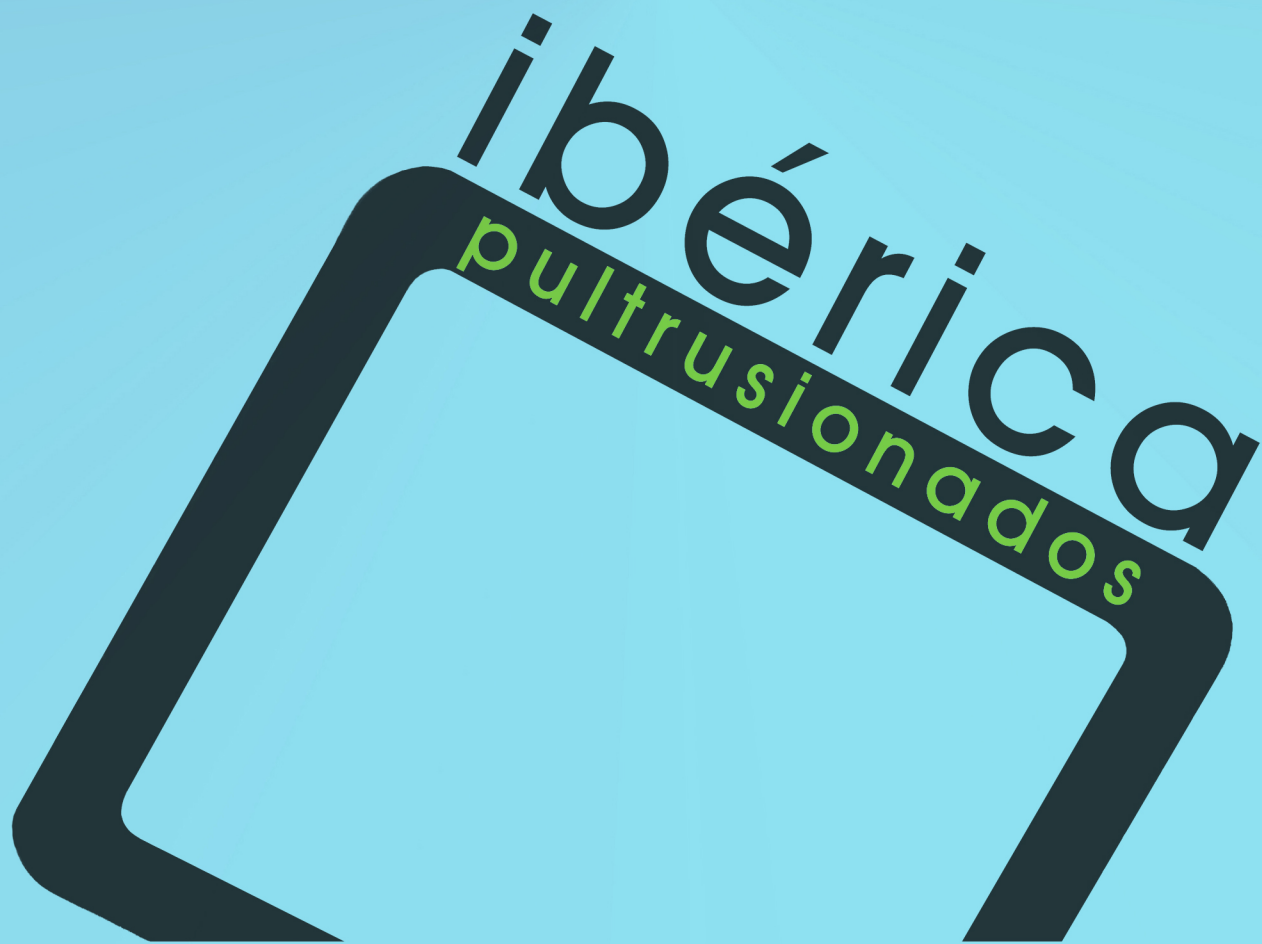


Angles Tables

ibérica pultrusionados

Technical Drawing

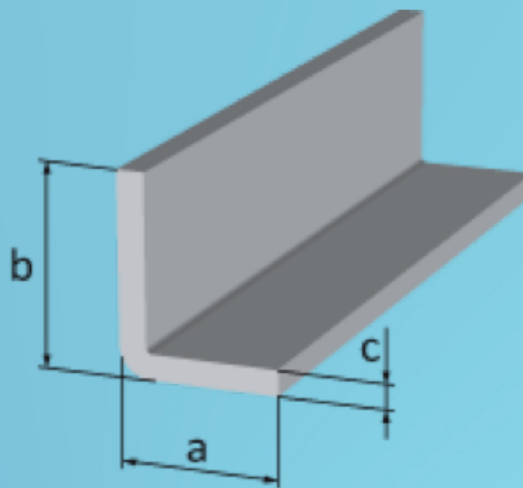


Iberica Pultrusionados @ 2016 - Direitos Reservados

Travessa do Bairro nº 50 - Z.I. Aveleda - Armazém B | 4485-010 AVELEDA VDC - Portugal | Tel.: +351 22 9960117 | info@iberica-pultrusionados.com | www.iberica-pultrusionados.com

Tra

Pultrusion angles | Tables



Angles 50 | Characteristics

Reference	a(mm)	b(mm)	c(mm)	Weight	Density
IBP.9409005	50	50	5	829 Gr	1,790

Angles 50 | Behavior

Separation between supports	Point load	Arch	Uniform load	Arch
mm	Kg	mm	Kg	mm
400	424	1,6	678	1,6
600	188	2,4	307	2,4
800	106	3,2	170	3,2
1000	68	4	109	4
L 250				

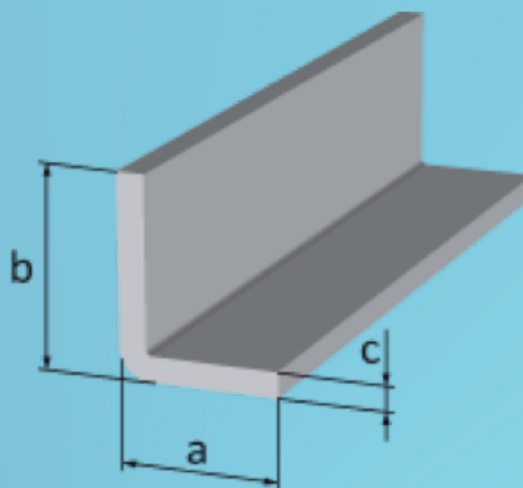
Angles 70 | Characteristics

Referencia	a(mm)	b(mm)	c(mm)	Weight	Density
IBP.9409002	70	70	10	2.518 Gr	1,943

Angles 70 | Behavior

Separation between supports	Point load	Arch	Uniform load	Arch
mm	Kg	mm	Kg	mm
500	1406	2	2250	2
800	549	3,2	879	3,2
1200	244	4,8	391	4,8
1500	156	6	250	6
L 250				

Pultrusion angles | Tables



Angles 90 | Characteristics

Reference	a(mm)	b(mm)	c(mm)	Weight	Density
IBP.9409010	90	90	10	3.514 Gr	1,906

Angles 90 | Behavior

Separation between supports	Point load	Arch	Uniform load	Arch
mm	Kg	mm	Kg	mm
800	1315	3,2	2105	3,2
1000	842	4	1347	4
1500	374	6	599	6
1800	260	7,2	416	7,2
2000	210	8	337	8
L 250				

Angles 100 | Characteristics

Referencia	a(mm)	b(mm)	c(mm)	Weight	Density
IBP.9409003	100	100	14	4.957 Gr	1,904

Angles 100 | Behavior

Separation between supports	Point load	Arch	Uniform load	Arch
mm	Kg	mm	Kg	mm
1000	1459	4	2335	4
1300	863	5,2	1381	5,2
1600	570	6,4	912	6,4
1800	450	7,2	721	7,2
2100	331	8,4	529	8,4
2400	253	9,6	405	9,6
L 250				

ibérica pultrusionados

