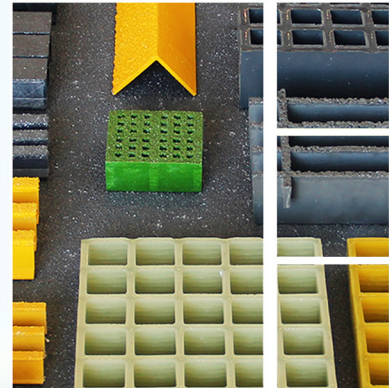
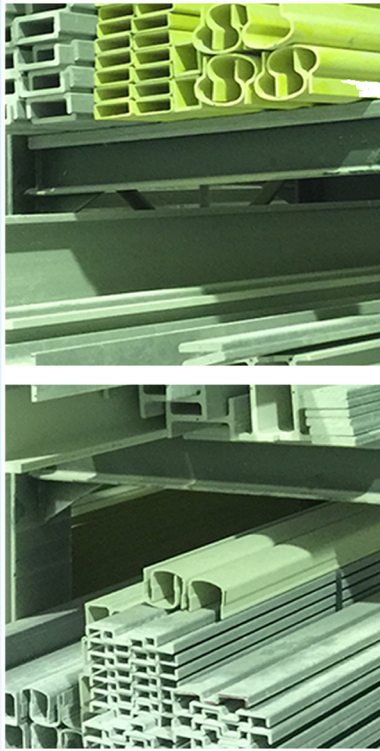


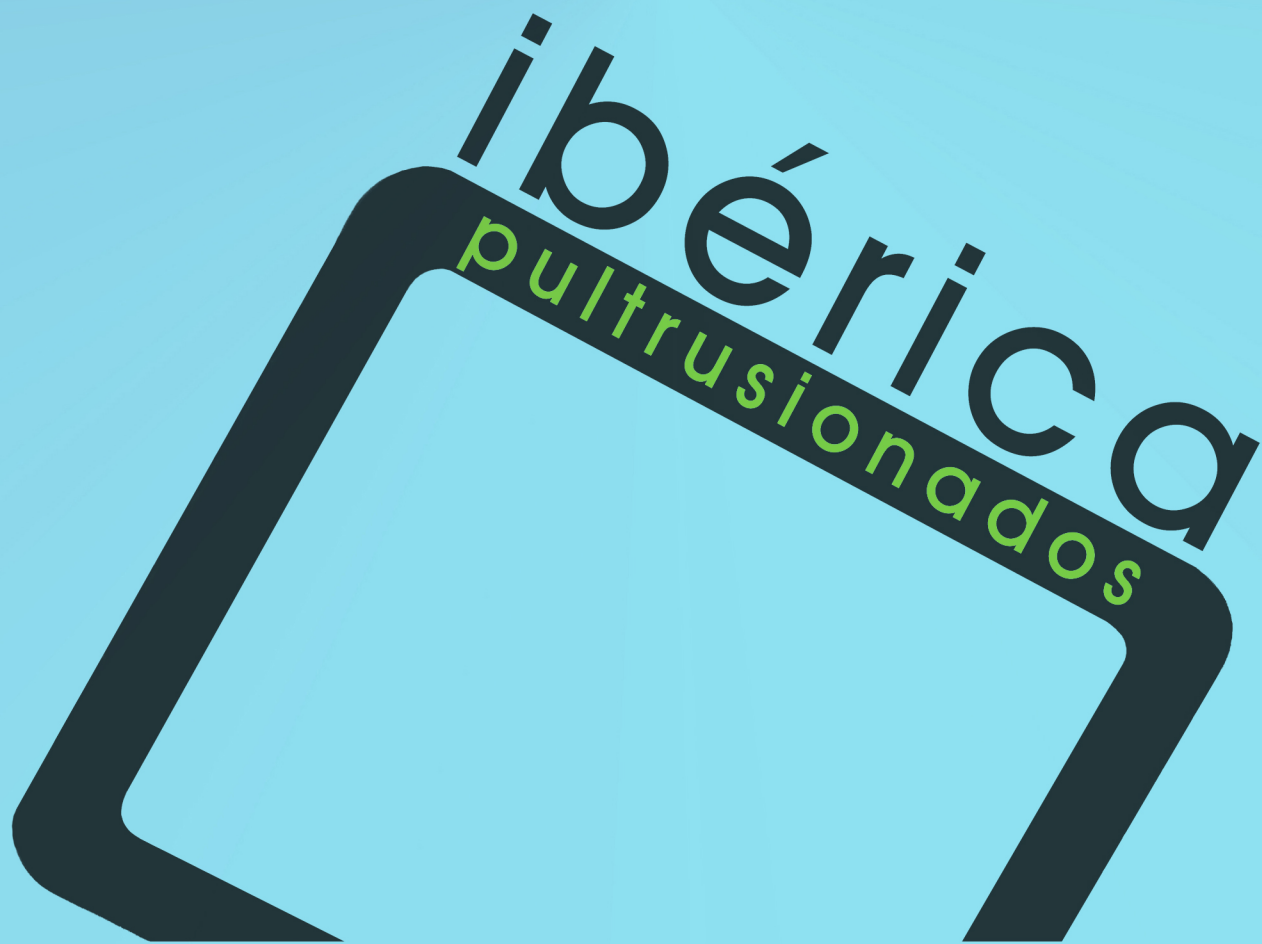
# C A T Á L O G O



## Beams i Tables

**ibérica** pultrusionados

# Technical Drawing

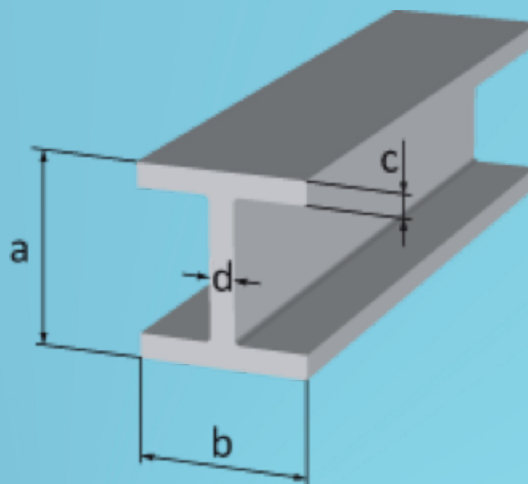
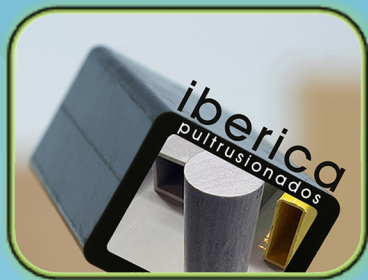


Iberica Pultrusionados @ 2016 - Direitos Reservados

Travessa do Bairro nº 50 - Z.I. Aveleda - Armazém B | 4485-010 AVELEDA VDC - Portugal | Tel.: +351 22 9960117 | info@iberica-pultrusionados.com | www.iberica-pultrusionados.com

Tra

## Beams i | Tables



### Beams i 50 | Characteristics

Reference	IBP.9404005	a(mm)	b(mm)	c(mm)	d(mm)	Weigt(Gr)	Density
		50	50	8	8	1.977	1,85

### Beams i 50 | Behavior

Separation between supports	Point load	Arch	Uniform load	Arch
mm	Kg	mm	Kg	mm
750	416	3	666	3
900	289	3,6	463	3,6
1250	150	5	240	5
1500	104	6	167	6

L | 250

### Beams i 205 | Characteristics

Reference	IBP.9404007	a(mm)	b(mm)	c(mm)	d(mm)	Weigt(Gr)	Density
		205	110	15	12	10.605	1,94

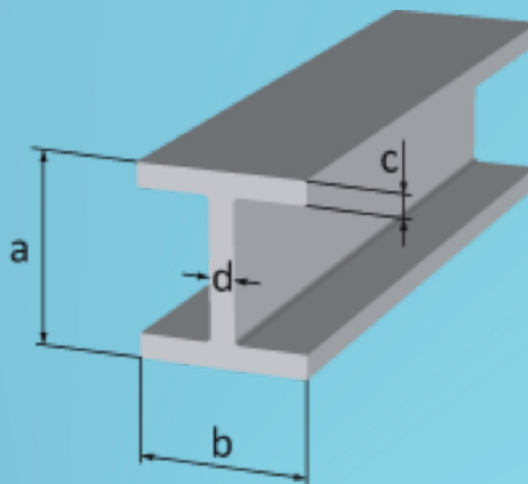
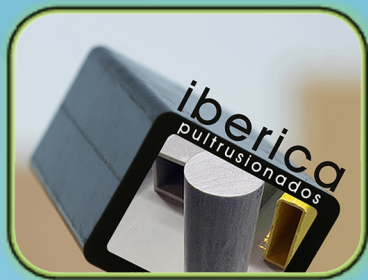
### Beams i 205 | Behavior

Separation between supports	Point load	Arch	Uniform load	Arch
mm	Kg	mm	Kg	mm
2000	5533	8	8852	8
3000	2459	12	3934	12
4000	1383	16	2213	16
5000	885	20	1416	20
5500	732	22	1171	22

L | 250



## Beams i | Tables



### Beams i 100 | Characteristics

Reference	IBP.9404003	a(mm)	b(mm)	c(mm)	d(mm)	Weigt(Gr)	Density
		100	50	8	8	2.693	1,77

### Beams i 100 | Behavior

Separation between supports	Point load	Arch	Uniform load	Arch
mm	Kg	mm	Kg	mm
800	2080	3,2	3329	3,2
1000	1331	4	2120	4
1200	925	4,8	1479	4,8
1600	520	6,4	832	6,4
2000	333	8	533	8
L   250				

### Beams i 120 | Characteristics

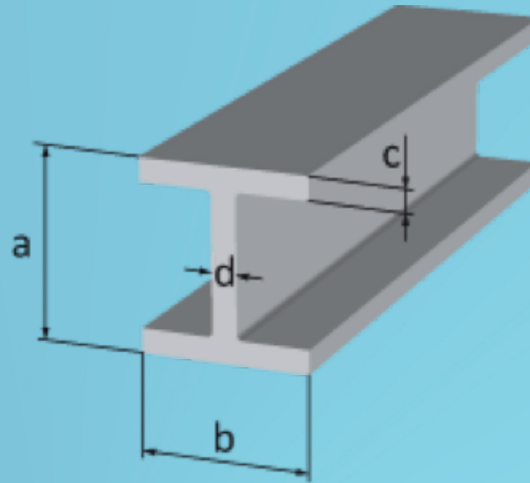
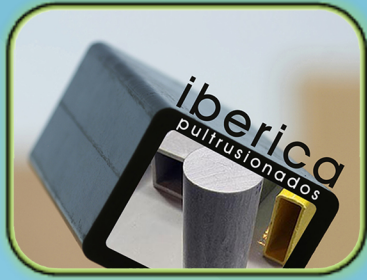
Reference	IBP.9404004	a(mm)	b(mm)	c(mm)	d(mm)	Weigt(Gr)	Density
		120	60	8	8	3.614	1,96

### Beams i 120 | Behavior

Separation between supports	Point load	Arch	Uniform load	Arch
mm	Kg	mm	Kg	mm
1200	1666	4,8	2665	4,8
1600	937	6,4	1499	6,4
2000	600	8	960	8
2250	474	9	758	9
3000	267	12	426	12
3500	196	14	313	14
L   250				



## Beams i | Tables



### Beams i 200 | Characteristics

Reference	IBP.9404001	a(mm)	b(mm)	c(mm)	d(mm)	Weigt(Gr)	Density
		200	100	12	10	7932	1,88

### Beams i 200 | Behavior

Separation between supports	Point load	Arch	Uniform load	Arch
mm	Kg	mm	Kg	mm
2000	4019	8	6431	8
3000	1786	12	2858	12
4000	1005	16	1607	16
5000	643	20	1029	20
L   250				

### Beams i 334 | Characteristics

Reference	IBP.9404002	a(mm)	b(mm)	c(mm)	d(mm)	Weigt(Gr)	Density
		334	100	12	11	11.427	1,96

### Beams i 334 | Behavior

Separation between supports	Point load	Arch	Uniform load	Arch
mm	Kg	mm	Kg	mm
3000	6471	12	10354	12
4000	3640	16	5824	16
4500	2876	18	4602	18
5500	1925	22	3081	22
6500	1378	26	2206	26
7000	1189	28	1902	28
L   250				

# ibérica pultrusionados

